

**TİP TYPE:** BKV - CEK - FL - RG

{ DN 15 – DN 200 }

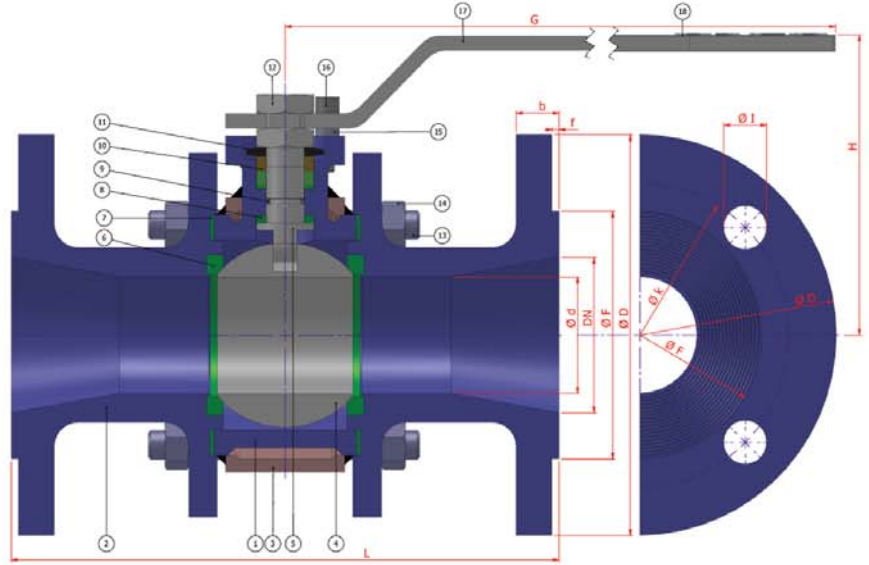
{ PN 16 / PN 40 }

REDÜKSİYON GEÇİŞLİ / FLANŞLI  
REDUCED BORE / FLANGED

Boyutlar *Dimensions* : EN 558-1  
Bağlantılar *Connections* : FLANŞLI / FLANGED EN 1092-1  
Çalışma Basıncı *Working Pressure* : PN 16 / PN 40  
Çalışma Sıcaklığı *Working Temperature* : -30 °C / + 180 °C  
Kullanım Alanları *Usage Areas* : Asfalt, Gıda ve Kimya Sanayii  
*Asphalt, Good and Chemical Ind.*



MALZEME BİLGİSİ / MATERIAL DATA				
PARÇA NO / ITEM NO	ADET / PCS	PARÇA ADI / ITEM DESCRIPTION	MALZEME / MATERIAL	
18	1	PLASTİK KAPLAMA / PLASTIC COVERING	PVC	PVC
17	1	KÜRE HAREKET KOLU / BALL ACTION HANDLE	st.37	1.4301.
16	1	CIVATA / BOLT	ST 42 Gal.	1.4301. - 1.4401.
15	1	STOPLAMA PİMİ / STOPPING PIN	ST 42 Gal.	1.4301.
14	8	SOMUN / NUT	S.6.	1.4301. - 1.4401.
13	4	SAPLAMA / STOPPING PIN	CK 35 / CK 45	1.4301.
12	2	KONTRA SOMUN / COUNTER NUT	S,6 Gal.	1.4301.
11	2	ÇARNAK PUL / BOWL WASHER	50 Cr V 4	1.4301.
10	1	BASKI RİNGİ / PRESSURE RING	MS 58	1.4301. - 1.4401.
9	1	MİL O-RİNG / SPINDLE O-RING	VITON	VITON
8	4	BOĞAZ SIZDIRMAZLIK TEFLONU / NECK TIGHTNESS ELEMENT	PTFE-Teflon	PTFE-Teflon
7	2	GÖVDE SIZDIRMAZLIK TEFLONU / BODY TIGHTNESS ELEMENT	PTFE-Teflon	PTFE-Teflon
6	2	KÜRE SIZDIRMAZLIK TEFLONU / BALL TIGHTNESS ELEMENT	PTFE-Teflon	PTFE-Teflon
5	1	HAREKET MİLİ / ACTION SPINDLE	1.4021	1.4301. - 1.4401.
4	1	KÜRE / BALL	1.4301 / 1.4086	1.4305. - 1.4401.
3	1	CEKET / JACKET	St 44	1.4301. - 1.4401.
2	2	KAPAK / COVER	St 37-2	1.4301. - 1.4401.
1	1	GÖVDE / BODY	A 216 WCB	1.4301. - 1.4401.



TİP / TYPE	BOYUT ve BAĞLANTI ÖLÇÜLERİ ( DIMENSIONS AND CONNECTION SIZES )																		
	PN 16												PN 40						
BKV-CEK-FL-RG	L	G	H	f	d	D	b	k	Hole Unit	I	F	kg	D	b	k	Hole Unit	I	F	Kg
DN 15 1/2"	130	150	75	2	12	95	14	65	4	14	45		95	16	65	4	14	45	
DN 20 3/4"	150	150	75	2	15	105	16	75	4	14	58		105	18	75	4	14	58	
DN 25 1"	160	150	83	2	20	115	16	85	4	14	68		115	18	85	4	14	68	
DN 32 1 1/4"	180	180	90	2	25	140	16	100	4	18	78		140	18	100	4	18	78	
DN 40 1 1/2"	200	230	95	3	32	150	16	110	4	18	88		150	18	110	4	18	88	
DN 50 2"	230	275	115	3	40	165	18	125	4	18	102		165	20	125	4	18	102	
DN 65 2 1/2"	290	275	120	3	50	185	18	145	4	18	122		185	22	145	8	18	122	
DN 80 3"	310	320	135	3	65	200	20	160	8	18	138		200	24	160	8	18	138	
DN 100 4"	350	380	150	3	80	220	20	180	8	18	158		235	24	190	8	22	162	
DN 125 5"	400	450	170	3	100	250	22	210	8	18	188		270	26	220	8	26	188	
DN 150 6"	450	450	200	3	125	285	22	240	8	22	212		300	28	250	8	26	218	
DN 200 8"	550	650	235	3	150	340	24	295	12	22	268		375	34	320	12	30	285	