

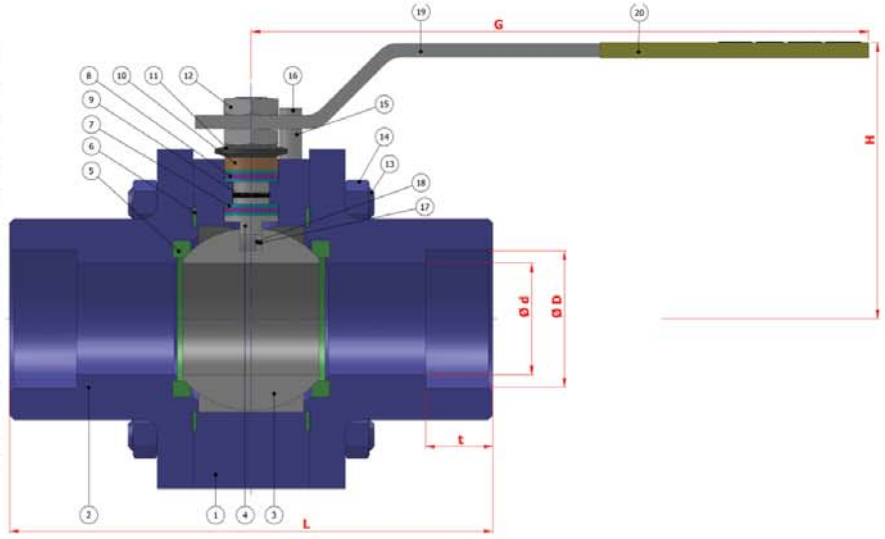
**TİP TYPE: BKV – SO – RG** {DN 15 – DN 100} {PN 150}

REDÜKSİYON GEÇİŞLİ / SOKET KAYNAKLI  
REDUCED BORE / SOCKET WELD

Boyutlar *Dimensions* : TS EN 12982 / ASME B 16.10  
Bağlantılar *Connections* : SOKET KAYNAKLI / SOCKET WELD ASME B 16.11  
Çalışma Basıncı *Working Pressure* : PN 150  
Çalışma Sıcaklığı *Working Temperature* : -30 °C / + 180 °C  
Kullanım Alanları *Usage Areas* : Su, Sıcak Su, Buhar, Basıncılı Hava  
Water, Hot Water, Steam, Pressurized Air



MALZEME BİLGİSİ MATERIAL DATA				
PARÇA NO ITEM NO	ADET PCS	PARÇA ADI ITEM DESCRIPTION	MALZEME MATERIAL	
20	1	PLASTİK KAPLAMA	PLASTIC COVERING	PVC PVC
19	1	KÜRE HAREKET KÖLÜ	BALL ACTION HANDLE	Ø 37 1.4301.
18	1	ÇİVATA	BOLT	ST 42 Gal. 1.4301. - 1.4401.
17	1	STOPLAMA PİMİ	STOPPING PIN	ST 42 Gal. 1.4301.
16	2	ANTİSTATİK KÜRE	ANTISTATIC BALL	1.4301. 1.4301. - 1.4401.
15	2	ANTİSTATİK YAY	ANTISTATIC SPRING	1.4301. 1.4301. - 1.4401.
14	8	SOMUN	NUT	S.6. 1.4301. - 1.4401.
13	4	SAPLAMA	STOPPING PIN	4140 - 5140 1.4301.
12	2	KONTRA SOMUN	COUNTER NUT	5,6 Gal. 1.4301.
11	2	ÇANAK PUL	ROWE WASHER	50 C / V 4 1.4301.
10	1	BASKI RİNGİ	PRESSURE RING	MS 58 1.4301. - 1.4401.
9	1	MİL O-RİNG	SPINDLE O-RING	VITON VITON
8	2	BURGMAN GRAFİT O-RİNG	BURGMAN GRAPHITE O-RING	EN 1514-1 EN 1514-1
7	4	BÖĞAZ SIZDIRMAZLIK TEFLONU	NECK TIGHTNESS ELEMENT	PTFE-Teflon PTFE-Teflon
6	2	GÖVDE SIZDIRMAZLIK TEFLONU	BODY TIGHTNESS ELEMENT	PTFE-Teflon PTFE-Teflon
5	2	KÜRE SIZDIRMAZLIK TEFLONU	BALL TIGHTNESS ELEMENT	PTFE-Teflon PTFE-Teflon
4	1	HAREKET MİLİ	ACTION SPINDLE	1.4021 1.4301. - 1.4401.
3	1	KÜRE	BALL	1.4301 / 1.4086 1.4305. - 1.4401.
2	2	KAPAK	COVER	SAE 1020 1.4301. - 1.4401.
1	1	GÖVDE	BODY	SAE 1020 1.4301. - 1.4401.



TİP TYPE	BOYUT ve BAĞLANTI ÖLÇÜLERİ ( DIMENSIONS AND CONNECTION SIZES )						
	PN 150						
BKV-SO-RG	L	G	H	d	D	t	kg
DN 15 1/2"	216	150	75	12	21,8	10,0	
DN 20 3/4"	229	150	75	15	27,4	13,0	
DN 25 1"	254	150	83	20	34,1	13,0	
DN 32 1 1/4"	279	180	90	25	42,8	13,0	
DN 40 1 1/2"	305	230	95	32	48,8	16,0	
DN 50 2"	368	275	115	40	61,8	16,0	
DN 65 2 1/2"	419	275	120	50	77,0	16,0	
DN 80 3"	381	320	135	65	90,0	16,0	
DN 100 4"	457	380	150	80	115,4	20,0	