

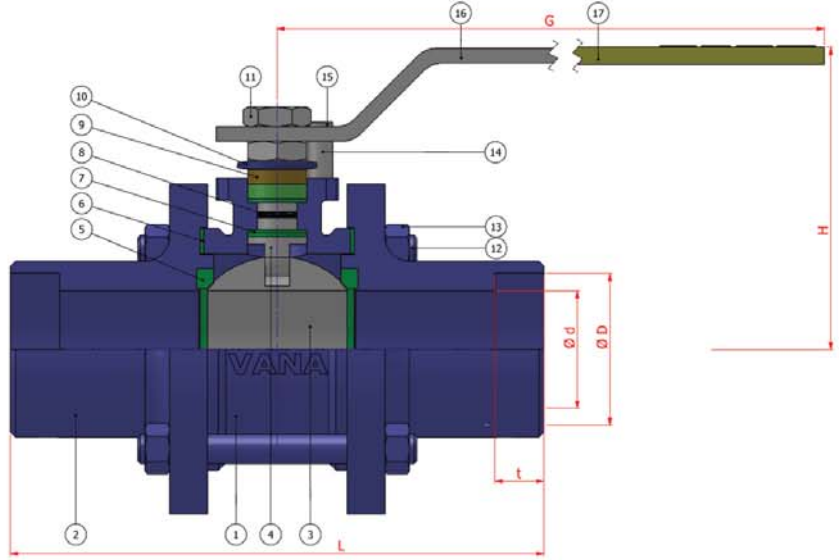
TİP TYPE: BKV – SO – RG {DN 15 – DN 125} {PN 16 / 40}

REDÜKSİYON GEÇİRLİ / SOKET KAYNAKLI
REDUCED BORE / SOCKET WELD

Boyutlar *Dimensions* : TS EN 12982 / ASME B 16.10
Bağlantılar *Connections* : SOKET KAYNAKLI / SOCKET WELD ASME B 16.11
Çalışma Basıncı *Working Pressure* : PN 16 / PN 40
Çalışma Sıcaklığı *Working Temperature* : -30 °C / +180 °C
Kullanım Alanları *Usage Areas* : Su, Sıcak Su, Buhar, Basıncılı Hava
Water, Hot Water, Steam, Pressurized Air



MALZEME BİLGİSİ MATERIAL DATA				
PARÇA NO ITEM NO	ADET PCS	PARÇA ADI ITEM DESCRIPTION	MALZEME MATERIAL	
17	1	PLASTİK KAPLAMA	PLASTIC COVERING	PVC / PVC
16	1	KÜRE HAREKET KOLU	BALL ACTION HANDLE	st.37 / 1.4301
15	1	CIVATA	BOLT	ST 42 Gal. / 1.4301 - 1.4401
14	1	STOPLAMA PİMİ	STOPPING PIN	ST 42 Gal. / 1.4301
13	8	SOMUN	NUT	S.6. / 1.4301 - 1.4401
12	4	SAPLAMA	STOPPING PIN	CK 35 / CK 45 / 1.4301
11	2	KONTRA SOMUN	COUNTER NUT	S,6 Gal. / 1.4301
10	2	ÇANAK PUL	BOYLE WASHER	50 Cr V 4 / 1.4301
9	1	BASKI RİNGİ	PRESSURE RING	MS 58 / 1.4301 - 1.4401
8	1	MİL O-RİNG	SPINDLE O-RING	VITON / VITON
7	4	BOĞAZ SIZDIRMAZLIK TEFLONU	NECK TIGHTNESS ELEMENT	PTFE-Teflon / PTFE-Teflon
6	2	GÖVDE SIZDIRMAZLIK TEFLONU	BODY TIGHTNESS ELEMENT	PTFE-Teflon / PTFE-Teflon
5	2	KÜRE SIZDIRMAZLIK TEFLONU	BALL TIGHTNESS ELEMENT	PTFE-Teflon / PTFE-Teflon
4	1	HAREKET MİLİ	ACTION SPINDLE	1.4021 / 1.4021
3	1	KÜRE	BALL	1.4301 / 1.4086 / 1.4305 - 1.4401
2	2	KAPAK	COVER	A 216 WCB / 1.4301 - 1.4401
1	1	GÖVDE	BODY	A 216 WCB / 1.4301 - 1.4401



TİP TYPE	BOYUT ve BAĞLANTI ÖLÇÜLERİ (DIMENSIONS AND CONNECTION SIZES)							
	PN 16 / PN 40						PN 16	PN 40
BKV-SO-RG	L	G	H	d	D	t	kg	Kg
DN 6 1/8"	140	150	75	6	10,7	10,0	0,8	0,85
DN 8 1/4"	140	150	75	8	14,3	10,0	0,9	0,95
DN 10 3/8"	140	150	75	10	17,6	10,0	1,1	1,2
DN 15 1/2"	140	150	75	10	21,8	10,0	1,2	1,3
DN 20 3/4"	152	150	83	15	27,4	13,0	1,5	1,7
DN 25 1"	165	180	90	20	34,1	13,0	2,2	2,6
DN 32 1 1/4"	178	230	95	25	42,8	13,0	4	5
DN 40 1 1/2"	190	275	115	32	48,8	16,0	6	6,5
DN 50 2"	216	275	120	40	61,8	16,0	8,5	9
DN 65 2 1/2"	241	320	135	50	77,0	16,0	12,5	13
DN 80 3"	283	380	150	65	90,0	16,0	14	14,5
DN 100 4"	305	450	170	80	115,4	20,0	18	18,5
DN 125 5"	381	450	200	100	141,0	25,0	21	22