

**TİP TYPE: BKV – Dİ – TG**

**{R 1/2" – R 4"}**

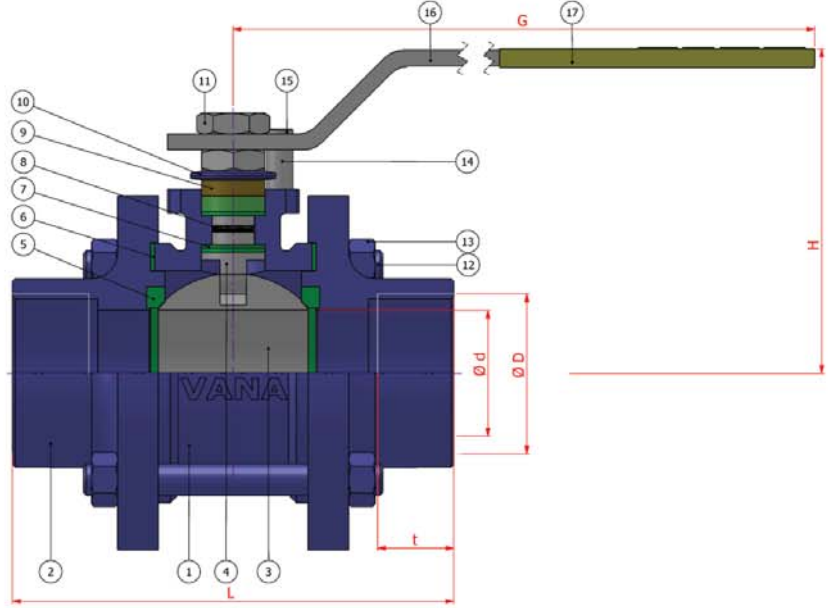
**{PN 16 / PN 40}**

**TAM GEÇİŞLİ / DİŞLİ  
FULL BORE / THREADED**

Boyutlar *Dimensions* : BATUSAN ÖZEL / *SPECIAL*  
Bağlantılar *Connections* : DİŞLİ / *THREADED* DIN 2999 / EN 10226-1  
Çalışma Basıncı *Working Pressure* : PN 16 / PN 40  
Çalışma Sıcaklığı *Working Temperature* : -30 °C / +180 °C  
Kullanım Alanları *Usage Areas* : Su, Sıcak Su, Buhar, Basıncılı Hava  
*Water, Hot Water, Steam, Pressurized Air*



MALZEME BİLGİSİ MATERIAL DATA				
PARÇA NO ITEM NO	ADET PCS	PARÇA ADI ITEM DESCRIPTION	MALZEME MATERIAL	
17	1	PLASTİK KAPLAMA	PLASTIC COVERING	PVC
16	1	KÜRE HAREKET KOLLU	BALL ACTION HANDLE	st.37 1.4301.
15	1	CİVATA	BOLT	ST 42 Gal. 1.4301. - 1.4401.
14	1	STOPLAMA PİMİ	STOPPING PIN	ST 42 Gal. 1.4301.
13	8	SOMUN	NUT	S.6. 1.4301. - 1.4401.
12	4	SAPLAMA	STOPPING PIN	CK 35 / CK 45 1.4301.
11	2	KONTRA SOMUN	COUNTER NUT	S.6 Gal. 1.4301.
10	2	ÇANAK PUL	BOYAL WASHNER	50 Cr V 4 1.4301.
9	1	BASKI RİNGİ	PRESSURE RING	MS 58 1.4301. - 1.4401.
8	1	MİL O-RİNG	SPINDLE O-RING	VITON
7	4	BOĞAZ SIZDIRMAZLIK TEFLONU	NECK TIGHTNESS ELEMENT	PTFE-Teflon
6	2	GÖVDE SIZDIRMAZLIK TEFLONU	BODY TIGHTNESS ELEMENT	PTFE-Teflon
5	2	KÜRE SIZDIRMAZLIK TEFLONU	BALL TIGHTNESS ELEMENT	PTFE-Teflon
4	1	HAREKET MİLİ	ACTION SPINDLE	1.4021 1.4301. - 1.4401.
3	1	KÜRE	BALL	1.4301 / 1.4086 1.4305. - 1.4401.
2	2	KAPAK	COVER	A 216 WCB 1.4301. - 1.4401.
1	1	GÖVDE	BODY	A 216 WCB 1.4301. - 1.4401.



TİP TYPE	BOYUT ve BAĞLANTI ÖLÇÜLERİ ( DIMENSIONS AND CONNECTION SIZES )							
	PN 16 / 40						PN 16	PN 40
BKV-Dİ-TG	L	G	H	d	D	t	kg	Kg
DN 15 1/2"	75	150	75	15	1/2"	14	1,1	1,1
DN 20 3/4"	80	150	83	20	3/4"	17	1,4	1,5
DN 25 1"	90	180	90	20	1"	20	2,0	2,0
DN 32 1 1/4"	110	230	95	32	1 1/4"	22	2,8	3,0
DN 40 1 1/2"	120	275	115	40	1 1/2"	25	3,6	4,4
DN 50 2"	140	275	120	50	2"	28	5,7	6,1
DN 65 2 1/2"	170	320	135	65	2 1/2"	32	8,8	9,5
DN 80 3"	195	380	150	80	3"	35	14,2	16,6
DN 100 4"	230	450	170	100	4"	40	24,0	25,2