

TİP TYPE : BKV – EU 001/TR

{R1/2" – R 1"}

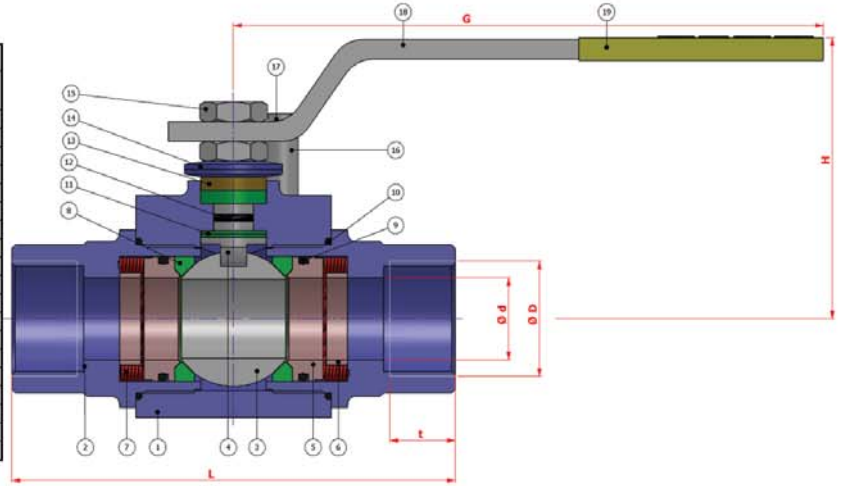
{PN16/PN25/PN40}

TAM GEÇİŞLİ / DİŞLİ
FULL BORE / THREADED

Boyutlar	Dimensions	: BATUSAN ÖZEL / SPECIAL
Bağlantılar	Connections	: DİŞLİ / THREADED DIN 2999 / EN 10226-1
Çalışma Basıncı	Working Pressure	: PN 16 / PN 25 / PN 40
Çalışma Sıcaklığı	Working Temperature	: -30 °C / + 180 °C
Kullanım Alanları	Usage Areas	: Doğalgaz, LPG - LNG, Fuel-Oil, Basıncılı Hava ve Diğer Gazlar Natural Gas, LPG-LNG, Fuel-Oil, Pressurized Air and Other Gases etc.



MALZEME BİLGİSİ MATERIAL DATA					
PARÇA NO ITEM NO	ADET PCS	PARÇA ADI ITEM DESCRIPTION		MALZEME MATERIAL	
19	1	PLASTİK KAPLAMA	PLASTIC COVERING	PVC	PVC
18	1	KÜRE HAREKET KOLLU	BALL ACTION HANDLE	st 37	1.4301.
17	1	CİVATA	BOLT	ST 42 Gal.	1.4301. - 1.4401.
16	1	STOPLAMA PİMİ	STOPPING PIN	ST 42 Gal.	1.4301.
15	2	KONTRA SOMUN	COUNTER NUT	5,6 Gal.	1.4301.
14	2	ÇANAK PUL	BOYAL WASHBR	50 Cr V 4	1.4301.
13	1	BASKI RİNGİ	PRESSURE RING	MS 58	1.4301. - 1.4401.
12	1	MİL O-RİNG	SPINDLE O-RING	VITON	VITON
11	2	BOĞAZ SIZDIRMAZLIK TEFLONU	NECK TIGHTNESS ELBMENT	PTFE-Teflon	PTFE-Teflon
10	2	GÖVDE O-RİNG	BODY O-RING	VITON	VITON
9	2	GÖVDE O-RİNG	BODY O-RING	VITON	VITON
8	2	KÜRE SIZDIRMAZLIK TEFLONU	BALL TIGHTNESS ELBMENT	PTFE-Teflon	PTFE-Teflon
7	34	YAY	SPRING	1.4301.	1.4301. - 1.4401.
6	2	YAY DESTEK	SPRING UPHOLDER	22 Mn 6	1.4301. - 1.4401.
5	2	SIZDIRMAZLIK RİNGİ	TIGHTNESS RING	22 Mn 6	1.4301. - 1.4401.
4	1	HAREKET MİLİ	ACTION SPINDLE	1,4021	1.4301. - 1.4401.
3	1	KÜRE	BALL	1.4301 / 1.4086	1.4305. - 1.4401.
2	2	KAPAK	COVER	22 Mn 6	1.4301. - 1.4401.
1	1	GÖVDE	BODY	22 Mn 6	1.4301. - 1.4401.



TİP TYPE	BOYUT ve BAĞLANTI ÖLÇÜLERİ (DIMENSIONS AND CONNECTION SIZES)						
	PN 16 - 25 - 40						
BDK - EU 001/TR	L	G	H	d	D	t	kg
DN 15 1/2"	75	150	75	15	1/2"	14	-
DN 20 3/4"	80	150	83	20	3/4"	17	-
DN 25 1"	90	180	90	20	1"	20	-