

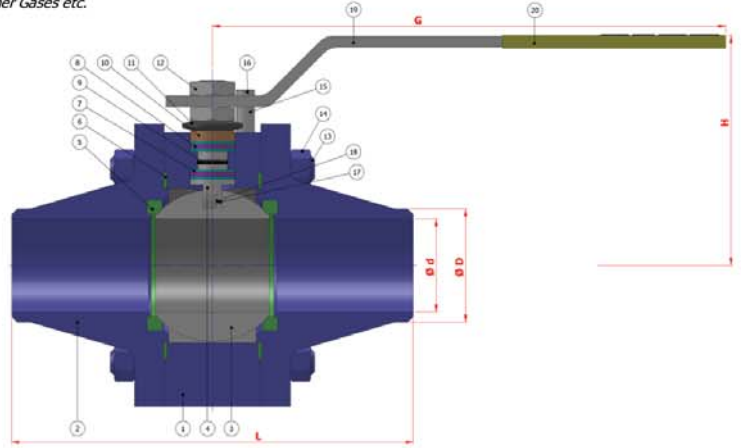
TİP TYPE : BKV – KA – TG {DN 15 – DN 100} {CLASS 900(PN150)}

TAM GEÇİŞLİ / ALIN KAYNAKLI
FULL BORE / BUTT WELD

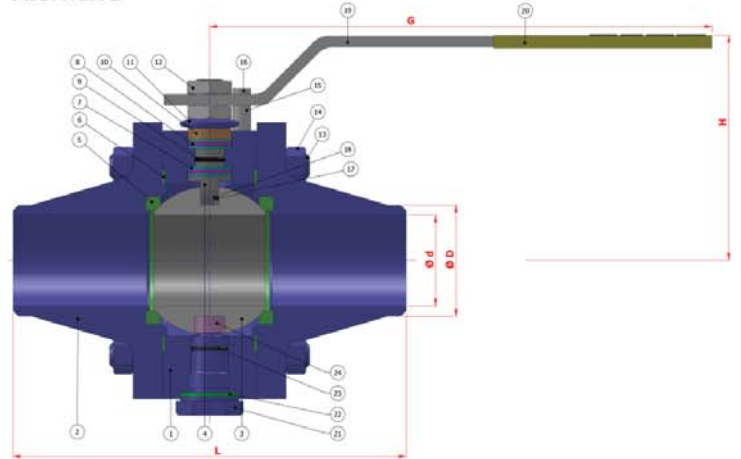
Dizayn	Desing	: API 6D / ISO 14313
Boyutlar	Dimensions	: ASME B 16.10
Bağlantılar	Connections	: ALIN KAYNAKLI / BUTT WELD ASME B 16.25
Çalışma Basıncı	Working Pressure	: CLASS 900 (PN 150)
Çalışma Sıcaklığı	Working Temperature	: -30 °C / + 180 °C
Kullanım Alanları	Usage Areas	: Doğalgaz, LPG - LNG, Fuel-Oil, Basıncılı Hava ve Diğer Gazlar Natural Gas, LPG-LNG, Fuel-Oil, Pressurized Air and Other Gases etc.



MALZEME BİLGİSİ MATERIAL DATA				
PARÇA NO ITEM NO	ADET PCS	PARÇA ADI ITEM DESCRIPTION	MALZEME MATERIAL	MALZEME MATERIAL
24	1	ALT YATAK TEFLONU	BALL TIGHTNESS ELEMENT	PTFE-Teflon
23	1	ALT YATAK O-RING	SPINDLE O-RING	VITON
22	1	ALT YATAK TEFLONU	BALL TIGHTNESS ELEMENT	PTFE-Teflon
21	2	ALT YATAK	TRUNNION	ASTM A 105 1.4301 - 1.4401.
20	1	PLASTİK KAPLAMA	PLASTIC COVERING	PVC
19	1	KÜRE HAREKET KOLU	BALL ACTION HANDLE	st 37 1.4301.
18	1	CİVATA	ROLT	ST 42 Gal. 1.4301. - 1.4401.
17	1	STOPLAMA PİMİ	STOPPING PIN	ST 42 Gal. 1.4301.
16	2	ANTİSTATİK KÜRE	ANTISTATIC BALL	1.4301. 1.4301. - 1.4401.
15	2	ANTİSTATİK YAY	ANTISTATIC SPRING	1.4301. 1.4301. - 1.4401.
14	8	SOMUN	NUT	5.6. 1.4301. - 1.4401.
13	4	SAPLAMA	STOPPING PIN	4140 - 5140 1.4301.
12	2	KONTRA SOMUN	COUNTER NUT	5,6 Gal. 1.4301.
11	2	ÇANAK PUL	BOWL WASHER	50 Cr V 4 1.4301.
10	1	BASKI RİNGİ	PRESSURE RING	MS 58 1.4301. - 1.4401.
9	1	MİL O-RING	SPINDLE O-RING	VITON VITON
8	2	BURGMAN GRAFİT O-RING	BURGMAN GRAPHITE O-RING	EN 1514-1 EN 1514-1
7	4	BOĞAZ SIZDIRMAZLIK TEFLONU	NECK TIGHTNESS ELEMENT	PTFE-Teflon PTFE-Teflon
6	2	GÖVDE SIZDIRMAZLIK TEFLONU	BODY TIGHTNESS ELEMENT	PTFE-Teflon PTFE-Teflon
5	2	KÜRE SIZDIRMAZLIK TEFLONU	BALL TIGHTNESS ELEMENT	PTFE-Teflon PTFE-Teflon
4	1	HAREKET MİLİ	ACTION SPINDLE	1,4021 1.4301. - 1.4401.
3	1	KÜRE	BALL	1.4301 / 1.4086 1.4305. - 1.4401.
2	2	KAPAK	COVER	A 216 WCB / A 105 1.4301. - 1.4401.
1	1	GÖVDE	BODY	A 216 WCB / A 105 1.4301. - 1.4401.



FLOATING



TRUNNION

TİP TYPE	BOYUT ve BAĞLANTI ÖLÇÜLERİ (DIMENSIONS AND CONNECTION SIZES)					
	CLASS 900					
BKV-KA-TG	L	G	H	d	D	kg
DN 15 1/2"	216	150	75	15	21,3	
DN 20 3/4"	229	150	83	20	26,7	
DN 25 1"	254	180	90	25	33,4	
DN 32 1 1/4"	279	230	95	32	42,2	
DN 40 1 1/2"	305	275	115	40	48,3	
DN 50 2"	368	275	120	50	60,3	
DN 65 2 1/2"	419	320	135	65	76,1	
DN 80 3"	381	380	150	80	88,1	
DN 100 4"	457	450	170	100	114,3	