

TİP TYPE : BKV – KA – RG

{DN 15 – DN 200}

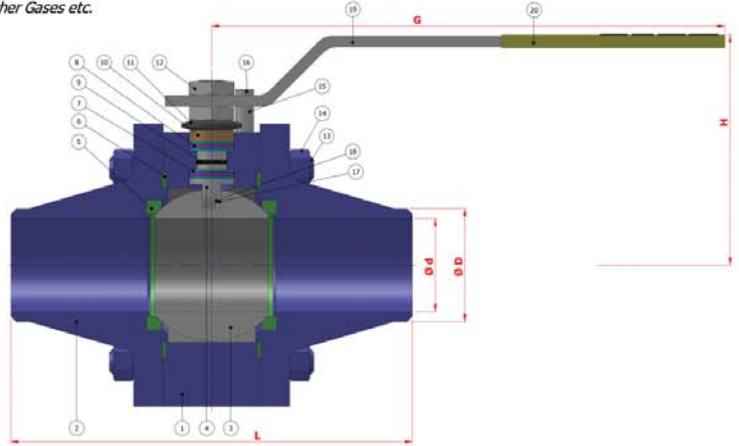
{CLASS 150/300 (PN20/50)}

REDÜKSİYON GEÇİŞLİ / ALIN KAYNAKLI
REDUCED BORE / BUTT WELD

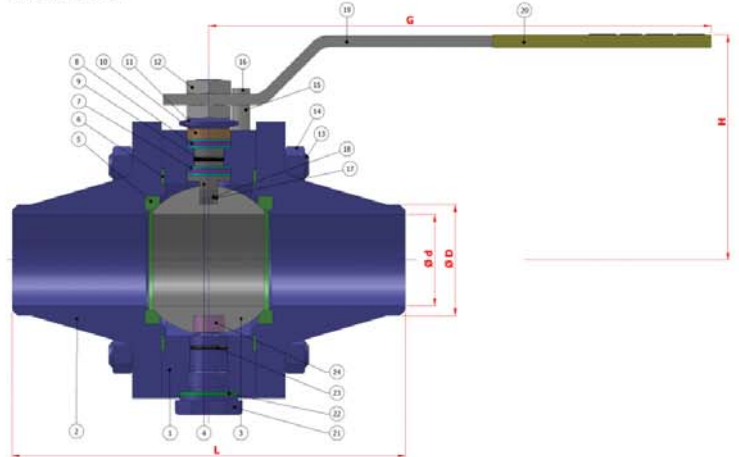
Dizayn	Desing	: API 6D / ISO 14313
Boyutlar	Dimensions	: ASME B 16.10
Bağlantılar	Connections	: ALIN KAYNAKLI / BUTT WELD ASME B 16.25
Çalışma Basıncı	Working Pressure	: CLASS 150 (PN 20) CLASS 300 (PN 50)
Çalışma Sıcaklığı	Working Temperature	: -30 °C / + 180 °C
Kullanım Alanları	Usage Areas	: Doğalgaz, LPG - LNG, Fuel-Oil, Basıncılı Hava ve Diğer Gazlar Natural Gas, LPG-LNG, Fuel-Oil, Pressurized Air and Other Gases etc.



MALZEME BİLGİSİ MATERIAL DATA			
PARÇA NO ITEM NO	ADET PCS	PARÇA ADI ITEM DESCRIPTION	MALZEME MATERIAL
24	1	ALT YATAK TEFLONU	BALL TIGHTNESS ELEMENT PTFE-Teflon PTFE-Teflon
23	1	ALT YATAK O-RING	SPINDLE O-RING VITON VITON
22	1	ALT YATAK TEFLONU	BALL TIGHTNESS ELEMENT PTFE-Teflon PTFE-Teflon
21	1	ALT YATAK	TRUNNION ASTM A 105 1.4301 - 1.4401
20	1	PLASTİK KAPLAMA	PLASTIC COVERING PVC PVC
19	1	KÜRE HAREKET KOLU	BALL ACTION HANDLE st 37 1.4301
18	1	CIVATA	BOLT ST 42 Gal. 1.4301 - 1.4401
17	1	STOPLAMA PİMİ	STOPPING PIN ST 42 Gal. 1.4301
16	2	ANTİSTATİK KÜRE	ANTISTATIC BALL 1.4301 1.4301 - 1.4401
15	2	ANTİSTATİK YAY	ANTISTATIC SPRING 1.4301 1.4301 - 1.4401
14	8	SOMUN	NUT 5,6 1.4301 - 1.4401
13	4	SAPLAMA	STOPPING PIN 4140 - S140 1.4301
12	2	KONTRA SOMUN	COUNTER NUT 5,6 Gal. 1.4301
11	2	ÇANAK PUL	BOWL WASHER 50 Cr V 4 1.4301
10	1	BASKI RİNGİ	PRESSURE RING MS 58 1.4301 - 1.4401
9	1	MİL O-RING	SPINDLE O-RING VITON VITON
8	2	BURGMAN GRAFİT O-RING	BURGMAN GRAPHITE O-RING EN 1514-1 EN 1514-1
7	4	BOĞAZ SIZDIRMAZLIK TEFLONU	NECK TIGHTNESS ELEMENT PTFE-Teflon PTFE-Teflon
6	2	GÖVDE SIZDIRMAZLIK TEFLONU	BODY TIGHTNESS ELEMENT PTFE-Teflon PTFE-Teflon
5	2	KÜRE SIZDIRMAZLIK TEFLONU	BALL TIGHTNESS ELEMENT PTFE-Teflon PTFE-Teflon
4	1	HAREKET MİLİ	ACTION SPINDLE 1,4021 1.4301 - 1.4401
3	1	KÜRE	BALL 1.4301 / 1.4086 1.4305 - 1.4401
2	2	KAPAK	COVER A 216 WC B / A 105 1.4301 - 1.4401
1	1	GÖVDE	BODY A 216 WC B / A 105 1.4301 - 1.4401



FLOATING



TRUNNION

TİP TYPE	BOYUT ve BAĞLANTI ÖLÇÜLERİ (DIMENSIONS AND CONNECTION SIZES)					
	CLASS 150					
	L	G	H	d	D	kg
BKV-KA-RG						
DN 15	1/2"	140	150	75	12	21,3
DN 20	3/4"	152	150	75	15	26,7
DN 25	1"	165	150	83	20	33,4
DN 32	1 1/4"	178	180	90	25	42,2
DN 40	1 1/2"	190	230	95	32	48,3
DN 50	2"	216	275	115	40	60,3
DN 65	2 1/2"	241	275	120	50	76,1
DN 80	3"	283	320	135	65	88,1
DN 100	4"	305	380	150	80	114,3
DN 125	5"	356	450	170	100	139,7
DN 150	6"	457	450	200	125	168,3
DN 200	8"	521	650	235	150	219,1