

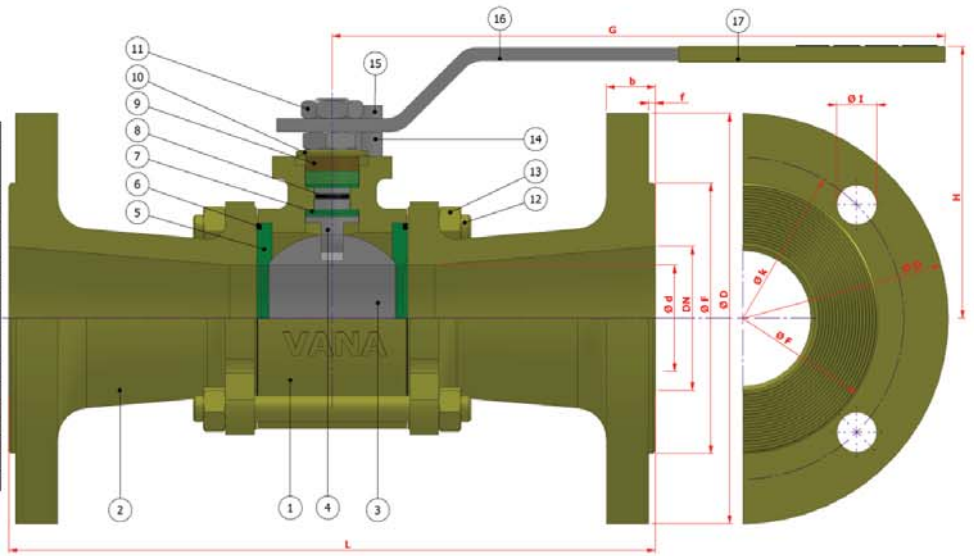
TİP TYPE: BDKV – FL – RG {DN 15 – DN 250} {MOP 5-20 / PN25 / PN40}

REDÜKSİYON GEÇİŞLİ / FLANŞLI
REDUCED BORE / FLANGED

Boyutlar	Dimensions	: TS EN 331 / TS 9809 / EN 558-1
Bağlantılar	Connections	: FLANŞLI / FLANGED DIN 2544 - 2545 / EN 1092-1
Çalışma Basıncı	Working Pressure	: DN 15 - 50 MOP 5-20 TS EN 331 DN 65 - 100 PN 40 TS 9809 DN 125 - 200 PN 25 TS 9809
Çalışma Sıcaklığı	Working Temperature	: -30 °C / +180 °C
Kullanım Alanları	Usage Areas	: Doğalgaz, LPG - LNG, Fuel-Oil, Basıncılı Hava ve Diğer Gazlar Natural Gas, LPG-LNG, Fuel-Oil, Pressurized Air and Other Gases etc.



MALZEME BİLGİSİ / MATERIAL DATA				
PARÇA NO / ITEM NO	ADET / PCS	PARÇA ADI / ITEM DESCRIPTION	MALZEME / MATERIAL	
17	1	PLASTİK KAPLAMA	PLASTIC COVERING	PVC
16	1	KÜRE HAREKET KOLLU	BALL ACTION HANDLE	st 37
15	1	CİVATA	BOLT	ST 42 Gal.
14	1	STOPLAMA PİMİ	STOPPING PIN	ST 42 Gal.
13	8	SOMUN	NUT	5,6
12	4	SAPLAMA	STOPPING PIN	CK 35 / CK 45
11	2	KONTRA SOMUN	COUNTER NUT	5,6 Gal.
10	2	ÇANAK PUL	WASHER	50 Cr V 4
9	1	BASKI RİNGİ	PRESSURE RING	MS 58
8	1	MİLO RİNGİ	SPINDLE O-RING	VİTON
7	4	BOĞAZ SIZDIRMAZLIK TEFLONU	NECK TIGHTNESS ELEMENT	PTFE-Teflon
6	2	GÖVDE O-RİNGİ	BODY O-RING	VİTON
5	2	KÜRE SIZDIRMAZLIK TEFLONU	BALL TIGHTNESS ELEMENT	PTFE-Teflon
4	1	HAREKET MİLİ	ACTION SPINDLE	1,4021
3	1	KÜRE	BALL	1.4301 / 1.4086
2	2	KAPAK	COVER	GGG 40.3
1	1	GÖVDE	BODY	GGG 40.3



TİP TYPE	BOYUT ve BAĞLANTI ÖLÇÜLERİ (DIMENSIONS AND CONNECTION SIZES)												
	PN 16 / 25 / 40												
	L	G	H	f	d	D	b	k	Hole Unit	I	F	kg	
TS EN 331 MOP 5-20 / PN 40	DN 15 1/2"	130	150	75	2	12	95	14	65	4	14	45	3,0
	DN 20 3/4"	150	150	75	2	15	105	16	75	4	14	58	3,4
	DN 25 1"	160	150	83	2	20	115	16	85	4	14	68	4,0
	DN 32 1 1/4"	180	180	90	2	25	140	16	100	4	18	78	5,6
	DN 40 1 1/2"	200	230	95	3	32	150	16	110	4	18	88	7,2
DN 50 2"	230	275	115	3	40	165	18	125	4	18	102	10,0	
TS 9809 PN 40	DN 65 2 1/2"	290	275	120	3	50	185	18	145	8	18	122	14,6
	DN 80 3"	310	320	135	3	65	200	20	160	8	18	138	20,7
	DN 100 4"	350	380	150	3	80	235	24	290	8	22	162	30,8
	DN 125 5"	400	450	170	3	100	270	26	220	8	26	188	48,0
TS 9809 PN 25	DN 150 6"	450	450	200	3	125	300	28	250	8	26	218	78,7
	DN 200 8"	550	650	235	3	150	360	30	310	12	26	278	
	DN 250 10"	650	900	270	3	200	425	32	370	12	30	335	