

TİP TYPE: BDKV – Dİ – RG {R 1/2" – R 2"}

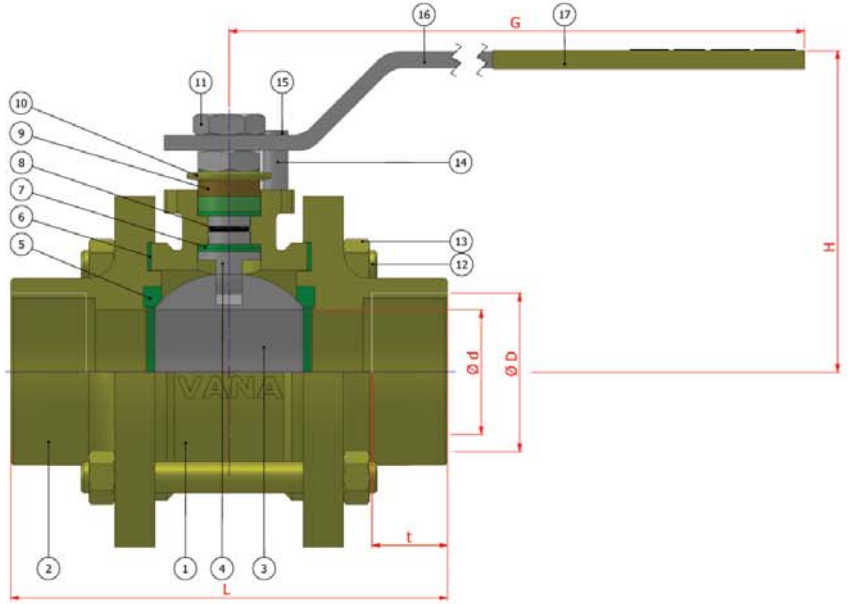
{PN 16 / PN 40}

REDÜKSİYON GEÇİŞLİ / DİŞLİ
REDUCED BORE / THREADED

Bağlantılar	Connections	: DİŞLİ / THREADED DIN 2999 / EN 10226-1
Çalışma Basıncı	Working Pressure	: PN 16 - PN 40
Çalışma Sıcaklığı	Working Temperature	: -30 °C / + 180 °C
Kullanım Alanları	Usage Areas	: Doğalgaz, LPG - LNG, Fuel-Oil, Basıncılı Hava ve Diğer Gazlar Natural Gas, LPG-LNG, Fuel-Oil, Pressurized Air and Other Gases etc.



MALZEME BİLGİSİ MATERIAL DATA					
PARÇA NO ITEM NO	ADET PCS	PARÇA ADI ITEM DESCRIPTION		MALZEME MATERIAL	
17	1	PLASTİK KAPLAMA	PLASTIC COVERING	PVC	PVC
16	1	KÜRE HAREKET KOLU	BALL ACTION HANDLE	st 37	1.4301.
15	1	CIVATA	BOLT	ST 42 Gal.	1.4301. - 1.4401.
14	1	STOPLAMA PİMİ	STOPPING PIN	ST 42 Gal.	1.4301.
13	8	SOMUN	NUT	S.6.	1.4301. - 1.4401.
12	4	SAPLAMA	STOPPING PIN	CK 35 / CK 45	1.4301.
11	2	KONTRA SOMUN	COUNTER NUT	S.6 Gal.	1.4301.
10	2	ÇANAK PUL	BOYU WASHER	50 Cr V 4	1.4301.
9	1	BASKI RİNGİ	PRESSURE RING	MS 58	1.4301. - 1.4401.
8	1	MİL O-RİNGİ	SPINDLE O-RING	VİTON	VİTON
7	4	BÖĞAZ SIZDIRMAZLIK TEFLONU	NECK TIGHTNESS ELEMENT	PTFE-Teflon	PTFE-Teflon
6	2	GÖVDE SIZDIRMAZLIK TEFLONU	BODY TIGHTNESS ELEMENT	PTFE-Teflon	PTFE-Teflon
5	2	KÜRE SIZDIRMAZLIK TEFLONU	BALL TIGHTNESS ELEMENT	PTFE-Teflon	PTFE-Teflon
4	1	HAREKET MİLİ	ACTION SPINDLE	1.4021	1.4301. - 1.4401.
3	1	KÜRE	BALL	1.4301 / 1.4086	1.4305. - 1.4401.
2	2	KAPAK	COVER	A 216 WCB	1.4301. - 1.4401.
1	1	GÖVDE	BODY	A 216 WCB	1.4301. - 1.4401.



TİP TYPE	BOYUT ve BAĞLANTI ÖLÇÜLERİ (DIMENSIONS AND CONNECTION SIZES)							
							PN 16	PN 40
BDKV-Dİ-RG	L	G	H	d	D	t	kg	Kg
DN 15	1/2"	75	150	75	12	1/2"	1,0	1,1
DN 20	3/4"	80	150	83	15	3/4"	1,2	1,4
DN 25	1"	90	180	90	20	1"	1,9	2,0
DN 32	1 1/4"	110	230	95	20	1 1/4"	2,5	2,9
DN 40	1 1/2"	120	275	115	32	1 1/2"	3,2	3,7
DN 50	2"	140	275	120	40	2"	5,2	5,8